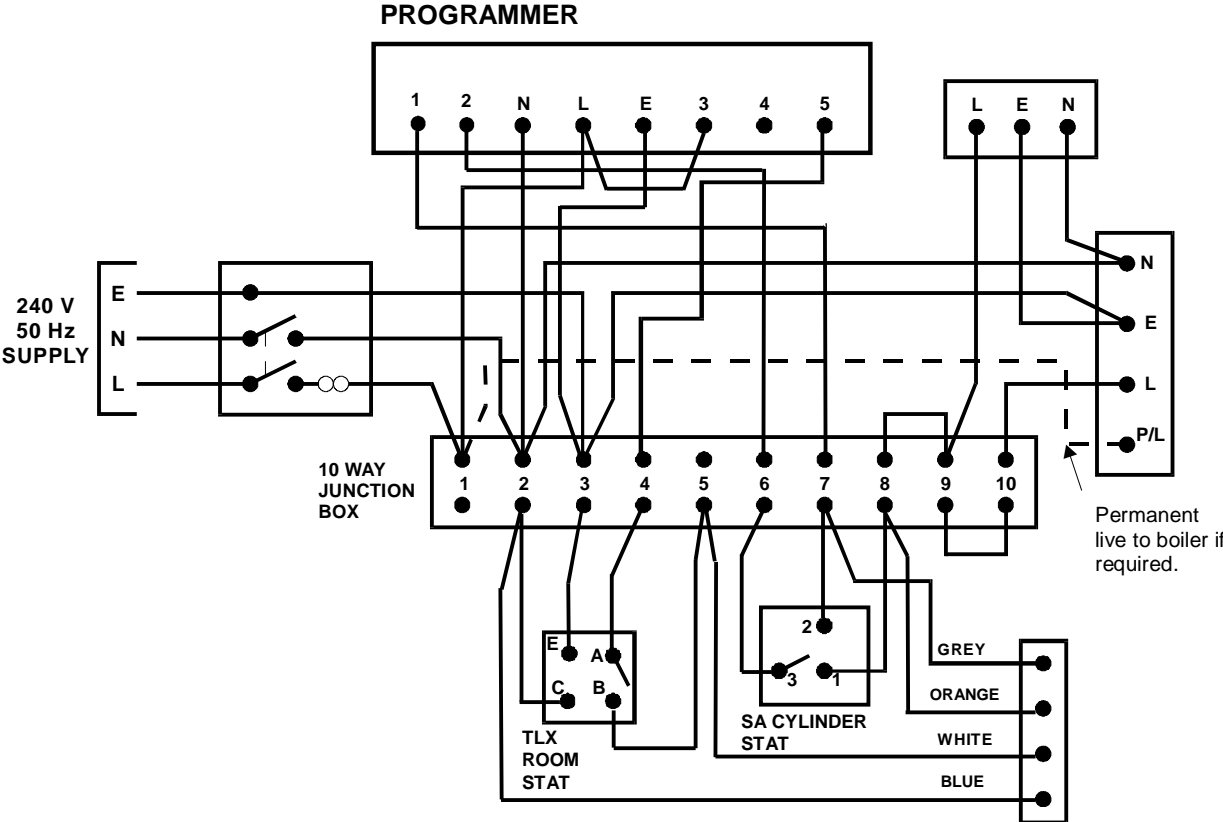


UNISHARE SYSTEM WITH SP100/50 PROGRAMMER



ROOM THERMOSTAT WIRING CONTACT

	TLX2259	TLX3101/5101
A COMMON	wire to contact 3	1
B DEMAND	1	8
C NEUTRAL	4	2
E EARTH	E	N/A

NB. All installations and maintenance must be carried out by a competent person and in accordance with current building and wiring regulations.

Please consult user and installation instructions for all products used.

TECHNICAL HELPLINE	01698 810945	<h1 style="font-size: 2em; margin: 0;">SUNVIC</h1>
Monday to Thursday	09:00 - 12:00 13:00 - 16:00	
Friday	09:00 - 12:00	
SUNVIC CONTROLS LIMITED		
Bellshill Road, Uddingston, Glasgow G71 6NP, Scotland, UK		
Telephone: +44 (0)1698 812944 Fax: +44 (0)1698 813637		